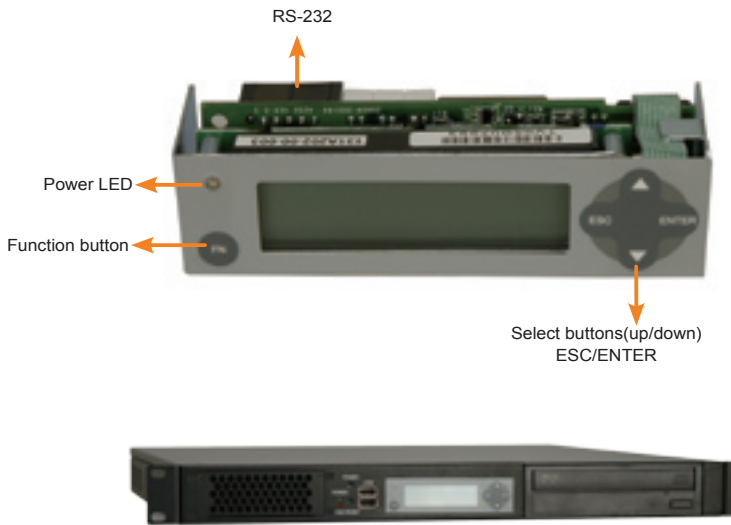


LCM-02G

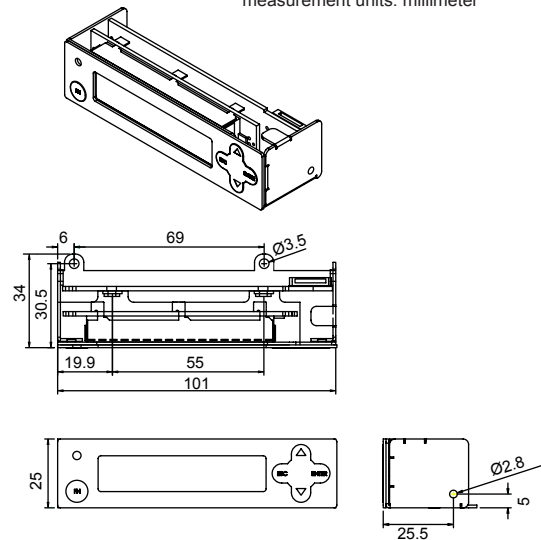
16x2 LCD Message Module



LCM-02G in RACK-1151G
1U rackmount Chassis

Dimensions

measurement units: millimeter



Main Features

- ◆ RoHS compliant design
- ◆ One programmable welcome page
- ◆ Up to 8 messages auto rolling mode
- ◆ Adjustable back-light brightness
- ◆ Five Programmable Buttons
(Four OSD buttons and One extra function button.)



LED Back Light On

Packing List



- 1 x LCM-02G
- 1 x user manual
- 1 x utility disk
- 1 x power cable
- 1 x RS-232 cable
- 3 x LED, reset cable
- 1 x screw set

Specification

◆ Character Number	16 characters x 2 lines
◆ Character Size (WxH)	2.96 mm X 5.56 mm
◆ Dot Size (WxH)	0.56 mm X 0.66 mm
◆ Back Light	Yellow green LED with adjustable brightness
◆ LCD Size (WxH)	60mm x 15mm
◆ Buttons	UP / DOWN / ESC / ENTER / FN
◆ Control Interface	RS-232
◆ GPIO	4
◆ Power	DC 5V
◆ Operating Temperature	0~50°C
◆ Dimensions (WxHxD)	101mm x 25mm x 34mm

Ordering information

Part No.	Description
LCM-02G	16 x 2 LCD Message Module, RoHS

1
Single Board Computer

2
VIDEO CARD

3
Xscale Solutions

4
Open HMI

5
VITO Universal Controller

6
DINO BLADE

7
LCD Product Series

8
Embedded System

9
Industrial Computer Chassis

10
Power Supply

11
Peripherals