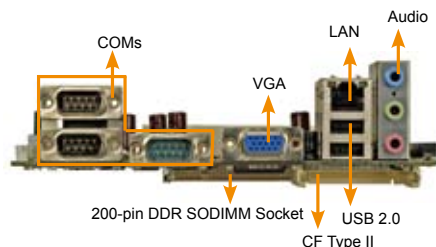
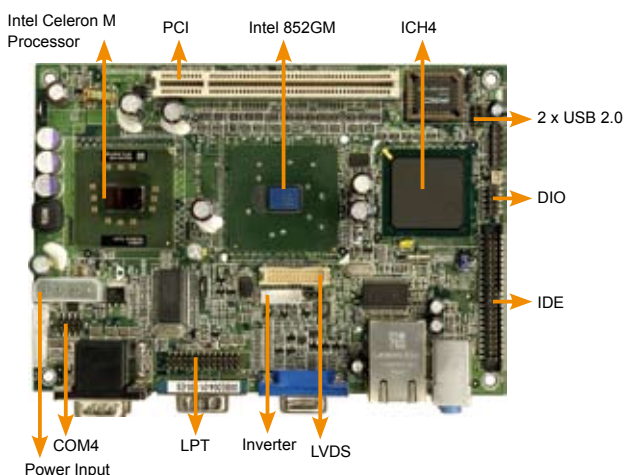


Enano-8523T

ULV Intel® Celeron® M 1GHz Zero Cache with COM Ports, USB2.0 and TPM Security Function Support



Features

1. Fully compatible with TCG v1.2 Specifications.
2. Sinosun 8-bits CPU Core.
3. Embedded 16KB secure data FLASH memory and 16KB RAM
4. 128KB program FLASH memory supporting online update of Firmware.
5. RSA engine supports up to 2048 bits RSA algorithm.
6. Embedded SHA-1 algorithm engine.

FSB 400

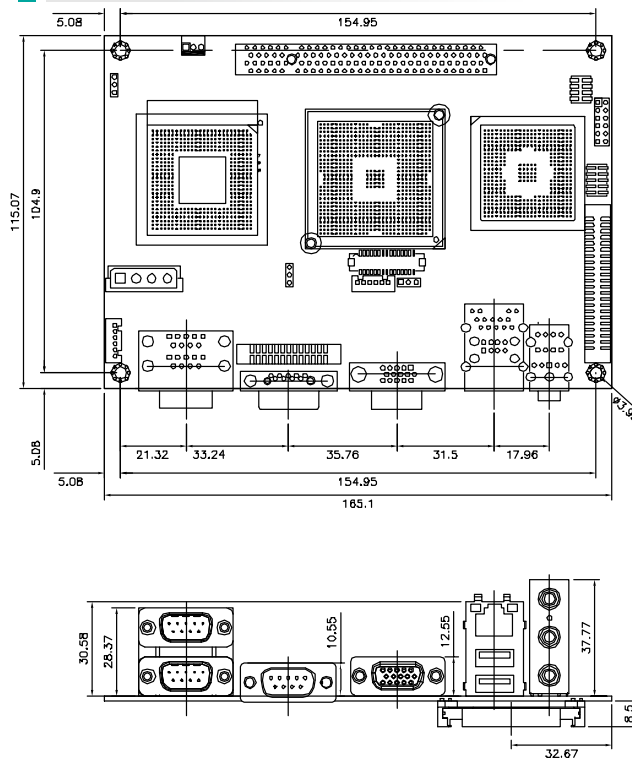
DDR266



Specifications

- ◆ **CPU**
ULV Intel® Celeron® M 600MHz 512K cache / 1GHz zero cache processor
- ◆ **System Chipset**
Intel® 852GM + ICH4
- ◆ **BIOS**
AMI BIOS
- ◆ **System Memory**
1 x 200-pin SO-DIMM DDR 266MHz up to 1GB
- ◆ **Ethernet**
10/100Mbps Intel® 82562ET Ethernet chipset
- ◆ **I/O Interface**
4 x USB 2.0
1 x LPT
1 x CF Type II
4 x RS-232
1 x PS/2 for KB/MS
1 x IDE
- ◆ **Expansions**
1 x PCI
- ◆ **Super I/O**
ITE IT8712F-A
- ◆ **Audio**
AC'97 Codec Realtek ALC655
- ◆ **Display Interface**
VGA integrated in Intel® 852GM
18-bit LCD dual channel integrated in Intel® 852GM
Support independent dual display
- ◆ **Watchdog Timer**
Software programmable supports 1-255 sec. system reset
- ◆ **Power Supply**
ATX power only
- ◆ **Power Consumption**
5V@3.66A, 12V@20mA
(ULV Intel® Celeron® M 800 zero Cache with DDR 266MHz, 256MB RAM)
- ◆ **Temperature**
Operation: 0°C ~ 60°C (32 ~ 140° F)
- ◆ **Humidity**
Operation: 5% ~ 95%, non-condensing
- ◆ **Dimensions**
115 mm x 165 mm
- ◆ **Weight:** GW: 1100 g;+ NW: 950 g

Dimensions



Ordering Information

Part No.	Description
Enano-8523-1GZ-R10	EPIC SBC with ULV Intel® Celeron® M 1GHz Zero Cache CPU, VGA/LVDS, LAN, USB2.0, Audio and COM
Enano-8523T-1GZ-R10	EPIC SBC with ULV Intel® Celeron® M 1GHz Zero Cache CPU, VGA/LVDS, LAN, USB2.0, Audio and TPM support
32200-015100-RS	LPT Cable
32100-052100-RS	ATX Power Cable
32200-000049-RS	RS-232 Cable

Packing List

1 x Enano-8523 Single Board Computer
1 x KB/MS Y Cable (P/N: 32000-023800-RS)
1 x IDE Flat Cable 44p/44p (P/N: 32200-000009-RS)
1 x Mini Jumper Pack
1 x Utility CD
1 x QIG (Quick Installation Guide)

1 Single Board Computer

2 VIDEO CARD

3 Xscale Solutions

4 Open HMI

5 VITO Universal Controller

6 DINO BLADE

7 LCD Product Series

8 Embedded System

9 Industrial Computer Chassis

10 Power Supply

11 Peripherals