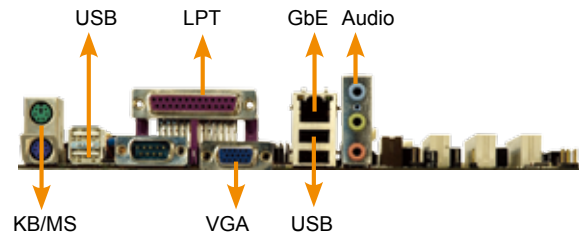
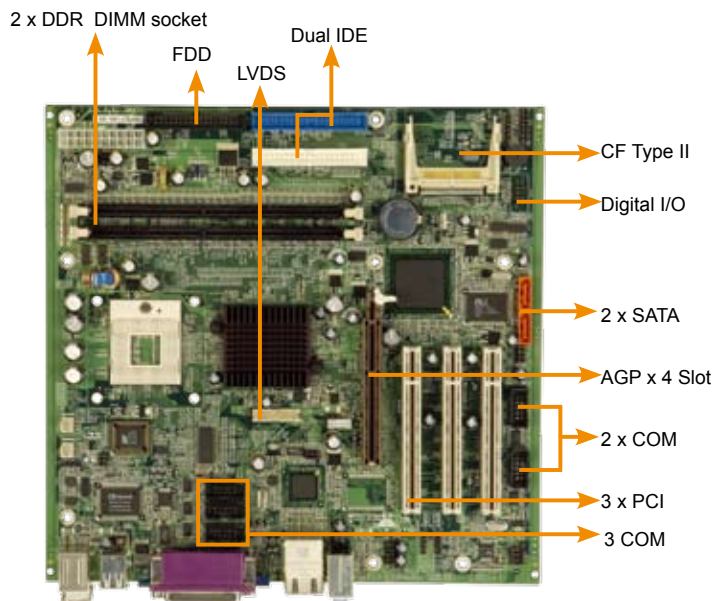


IMB-8550

micro-ATX Motherboard, Pentium® M/ Celeron® M 400MHz FSB with VGA, LCD, SATA, 6 USB 2.0, 6 COM and Audio



Specifications

- ◆ **CPU**
Socket 479 Intel® Pentium® M 533MHz/Celeron® M 400MHz FSB(Dothan & Banias core) up to 2.10GHz
- ◆ **System Chipset**
Intel® 855GME + ICH4
- ◆ **BIOS**
AMI BIOS
- ◆ **System Memory**
2 x 184-pin Dual channel DDR 266/333MHz up to 2GB
- ◆ **Ethernet**
RealTek RTL8110SC GbE chipset (IMB-8550GR-R10)
Intel® 82541PI GbE chipset with ASF2.0 remote control support. (IMB-8550GN-R10)
- ◆ **I/O Interface**
6 x USB 2.0
2 x SATA with ALI RAID 0,1 function support
1 x LPT
1 x FDD
1 x CF Type II
5 x RS-232
1 x RS-232/422/485
2 x PS/2 for KB/MS
2 x IDE
- ◆ **Expansions**
1 x AGP x4
3 x PCI
- ◆ **Digital I/O**
8-bit digital I/O, 4-bit input/ 4-bit output
- ◆ **IrDA**
By super I/O
- ◆ **Super I/O**
W83627HG
- ◆ **Audio**
Realtek ALC655 with AC'97 codec
- ◆ **Display Interface**
VGA integrated in Intel® 855GME
18-bit dual channel LVDS
- ◆ **Watchdog Timer**
Software programmable supports 1-255 sec. system reset
- ◆ **Power Supply**
ATX power supply
- ◆ **Power Consumption**
3.3V@0.53A, 5V@3.24A, 12V@2.0A
(Pentium® M 2.0GHz CPU with 2 x 1GB DDR 333MHz SDRAM)
- ◆ **Temperature: Operation:**
0°C ~ 60°C (32 ~ 140° F)
- ◆ **Humidity:**
Operation: 5% ~ 95% non-condensing
- ◆ **Dimensions:**
244 mm x 244 mm
- ◆ **Weight:**
GW: 1200 g; NW: 680 g

Features

1. Intel® Socket 479 Pentium® M/ Celeron® M CPU support up to FSB 400MHz
2. CRT/LCD VGA integrated in Intel® 855GME, support 18-bit dual channel LVDS
3. DDR-266/333MHz support up to 2GB
4. Independent Dual display supported
5. 2 x SATA and 6 x USB 2.0 by pin header

Packing List

1 x IMB-8550 Single Board Computer
1 x ATA66/100 Flat Cable (P/N: 32200-000052-RS)
2 x SATA Cable (P/N: 32000-062800-RS)
1 x SATA Power Cable (P/N: 32100-088600-RS)
2 x Dual RS-232 Cable (P/N: 19800-000051-RS)
1 x I/O Shielding (P/N: 45002-0808C0-00-RS)
1 x Mini Jumper Pack (P/N: 33100-000079-RS)
1 x Utility CD
1 x QIG (Quick Installation Guide)

Ordering Information

Part No.	Description
IMB-8550GR-R10	micro-ATX Motherboard, Socket 479 Pentium® M/ Celeron® M 400MHz FSB CPU Card with VGA, Realtek GbE, USB 2.0, Audio and SATA
IMB-8550GN-R10	micro-ATX Motherboard, Socket 479 Pentium® M/ Celeron® M 400MHz FSB CPU Card with VGA, Intel® GbE, USB 2.0, Audio and SATA
CF-479A-RS	CPU Cooler
CF-518-RS	CPU Cooler
32200-000017-RS	FDD Cable
CB-USB02-RS	USB Cable with 2 USB Ports
19800-000047-RS	Single Port RS-232 Cable

1
Single Board Computer2
VIDEO CARD3
Xscale Solutions4
Open HMI5
VITO Universal Controller6
DINO BLADE7
LCD Product Series8
Embedded System9
Industrial Computer Chassis10
Power Supply11
Peripherals